

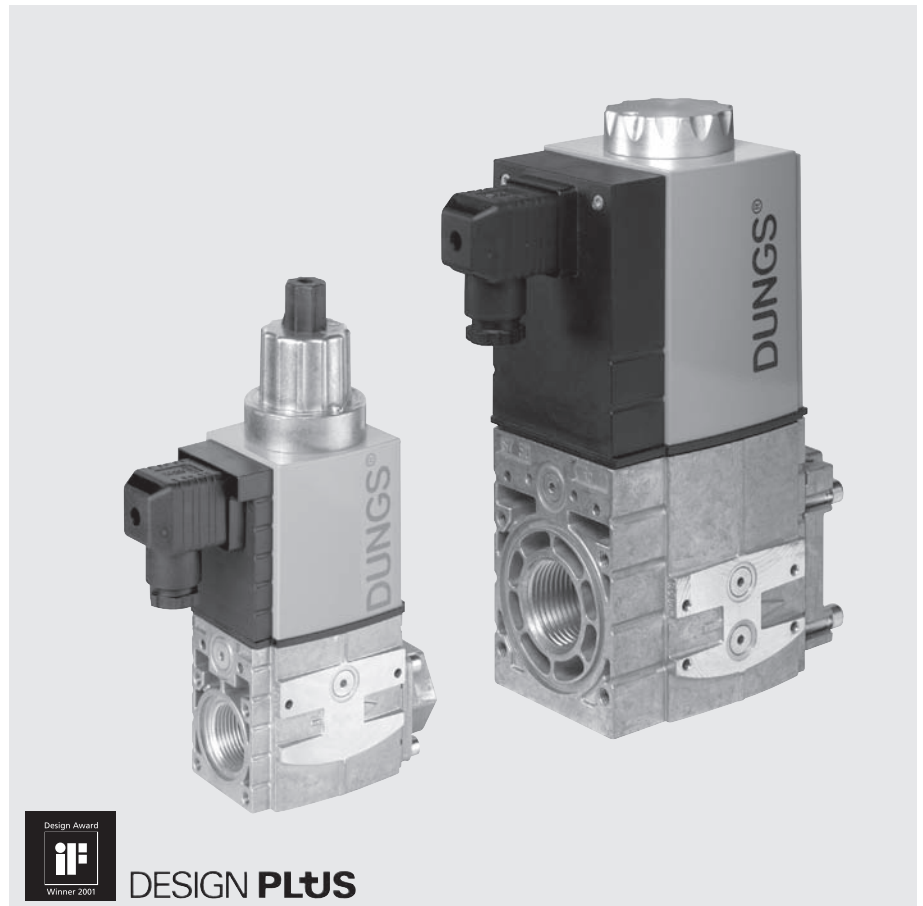
# Safety solenoid valve

## Nominal width Rp 1/2 - Rp 2

**SV**  
**SV-D**  
**SV-DLE**

**DUNGS®**

6.01



### Technical Description

The Dungs safety solenoid valve SV is a single-stage automatic shut-off valve to EN 161 for gas burners and gas burning appliances:

- Double-disc valves
- Max. operating pressure up to 0.5 bar
- Standard IP 65
- zero current shutoff
- SV, SV-D: fast-open
- SV-DLE: slow-open with adjustable fast stroke for starting gas flow
- DC solenoid
- SV-... 505 - 520: closed position signal contact retrofittable
- Pipe thread on inlet side, threaded flange on outlet side
- Threaded flange on inlet side retrofittable
- High flow rates
- Free of non-ferrous metals, suitable for gases up to 0.1 vol. % H<sub>2</sub>S, dry

### Application

The solenoid valve is used for securing, limiting, shutting off and releasing the gas supply to gas burners and gas burning appliances.

The DUNGS SV-... safety solenoid valve is suitable for gases of gas families 1, 2, 3 and other inert gaseous media.

### Approvals

EC type test approval as per EC Gas Appliance Directive:

SV-... CE-0085 BM0332

EC type test approval as per EC Pressure Equipment Directive:

SV-... CE0036

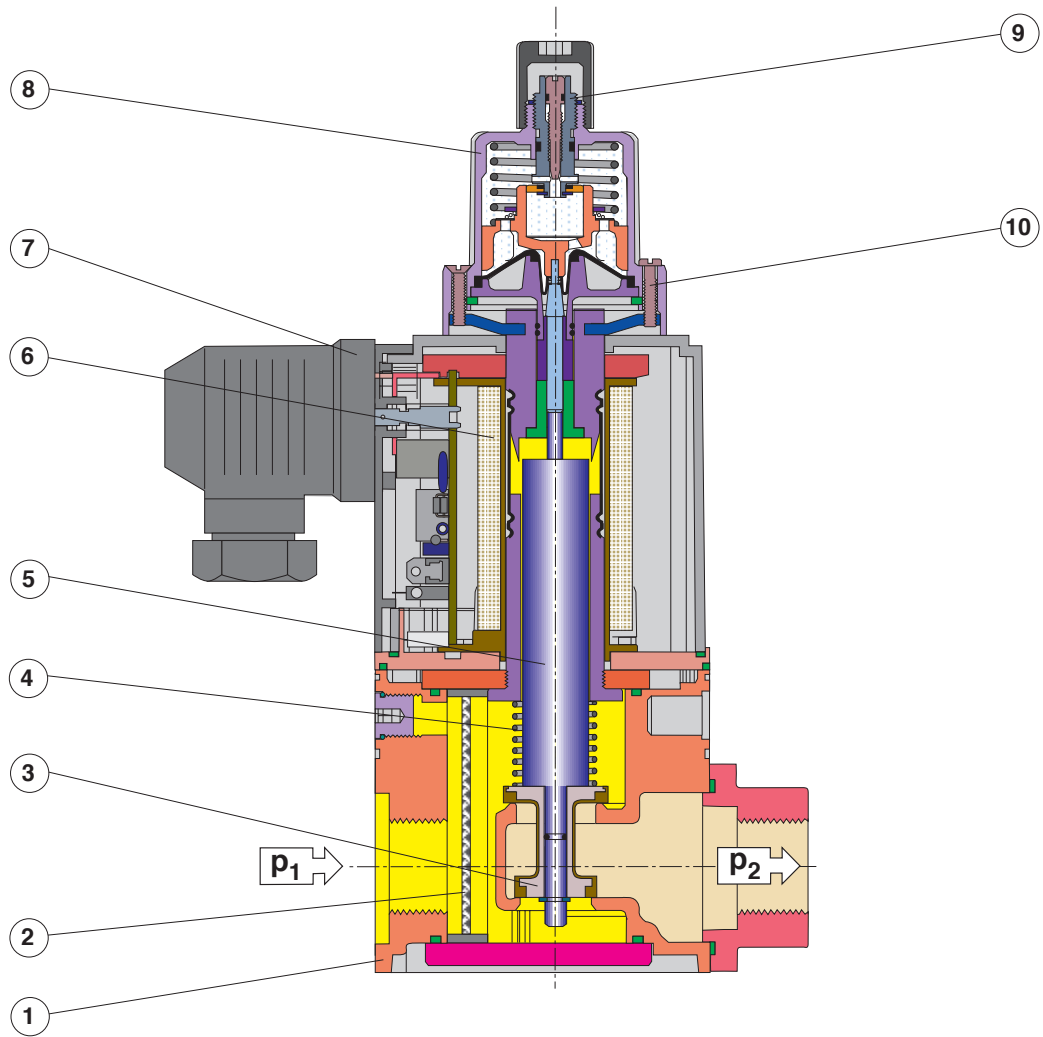
Approvals in other important gas consuming countries.

<b>SV</b>	Single-stage solenoid valve zero current shutoff, fast-opening, fast-closing.
<b>SV-D</b>	Single-stage solenoid valve zero current shutoff, fast-opening, fast-closing. Manual limitation of gas flow by regulation (D).
<b>SV-DLE</b>	Single-stage solenoid valve zero current shutoff, slow-opening (L), fast-closing. With adjustable fast stroke (E) and manual limitation of gas flow by regulation (D).

## Technical Data

Size Flange and pipe thread to ISO 7-1	SV 505   SV 507   SV 510   SV 515   SV 520 Rp 1/2   Rp 3/4   Rp 1   Rp 1 1/2   Rp 2 Pipe thread on inlet side, threaded flange on outlet side
Max. operating pressure	500 mbar (50 kPa)
Solenoid valve	Automatic shutoff valve as per EN 161: Class A, Group 2
Closing time	< 1 s
Opening time	SV..., SV-D...: < 1 s SV-DLE...: approx. 20 s at room temperature + 20 °C and without fast stroke
Fast stroke	adjustable on SV-DLE...
Flow restrictor	adjustable on SV-D... and SV-DLE...
Materials of gas-conveying parts	Housing: aluminium, steel, free of non-ferrous metals Seals in valve seat: NBR based, suitable for gases as per G260/I
Ambient temperature	-15 °C to +60 °C
Installation position	Solenoid arranged vertically to horizontally
Dirt trap	Integrated strainer. To protect the entire gas train, we recommend installing an upstream gas filter.
Measuring gas connection	G 1/8 DIN ISO 228: SV-... at valve inlet, in the centre; at output flange for SV-... 510 - 520; on both sides in front of and behind the valve seat, at the valve outlet in the centre. Pressure switch retrofittable: to the side, at the inlet and outlet flanges. Fitting a pressure switch can exclude measuring gas/ignition gas connection.
Voltage / frequency	~(AC) 50 - 60 Hz 230 V -15 % + 10 %, other voltages on request. Standard voltages: ~(AC) 24 V, 110 V, 120 V, =(DC) 48 V, =(DC) 24 V - 28 V
Rating / power consumption	at ~(AC) 230 V, + 20 °C: see type summary
Degree of protection	IP 65
Switch-on duration	100 % ED
Electrical connection	Plug-in connection to DIN EN 175 301-803
Switching rate	SV-D: max. 1000/h SV-DLE: max. 100/h
Radio interference suppression	Interference level N
Closed position signal contact	Type K01/1 (DIN tested) retrofittable, on SV-... 505 - 520
Valve proving system	Type VPS 504 S... retrofittable, on SV-... 510 - 520

**Type SV-DLE 507**



- |   |                |   |                       |             |             |
|---|----------------|---|-----------------------|-------------|-------------|
| 1 | Housing        | 5 | Plunger               | Adjustment: |             |
| 2 | Strainer       | 6 | Solenoid coil         | 9           | Fast stroke |
| 3 | Valve disc     | 7 | Electrical connection | 10          | Main flow   |
| 4 | Closing spring | 8 | Hydraulic brake       |             |             |

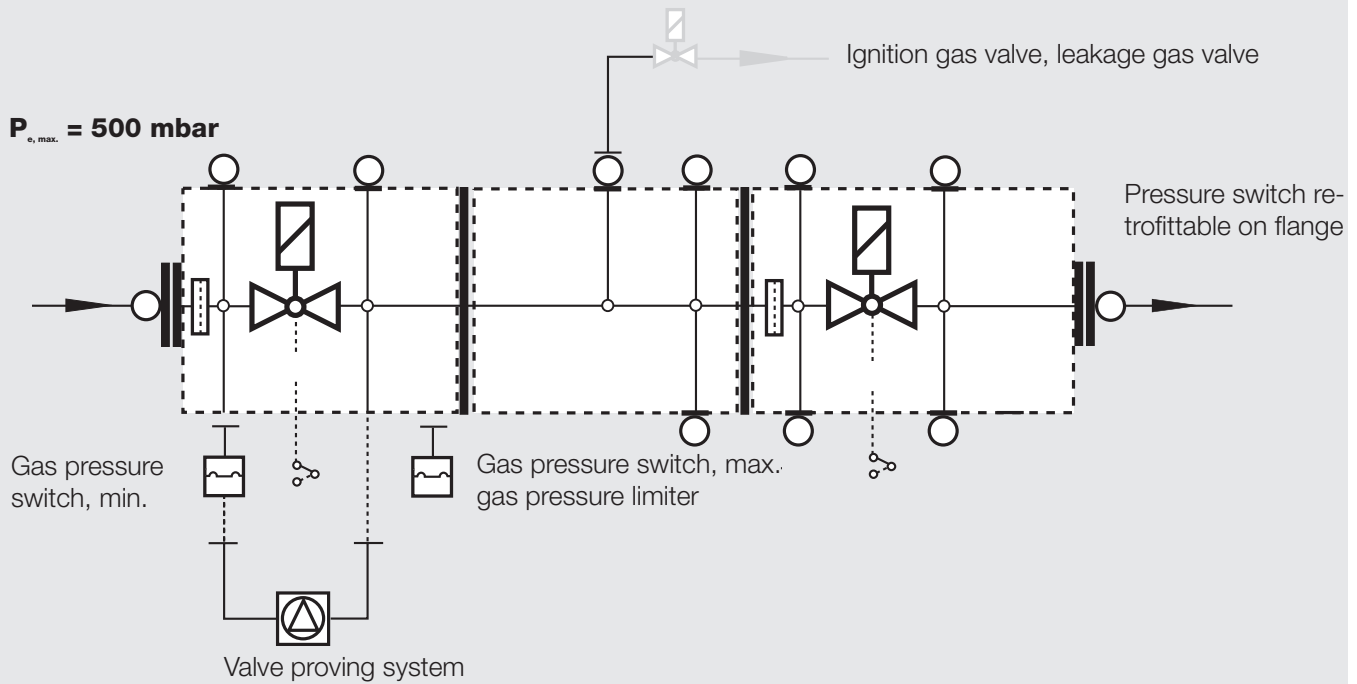
**Functional Description**

The DUNGS safety solenoid valve is an automatic shut-off valve powered by emergency current. The electromagnetic drive opens against closing spring 4.

The stroke of plunger 5 can be limited. The hydraulic brake 8 permits slow opening. The fast stroke 9 is adjustable. If the power supply (operating voltage) is interrupted, the closing spring 4 closes

the valve within < 1 s. The closed position of the valve can be monitored by a retrofittable closed position signal contact.

## Safety solenoid valve modular system



### Intermediate piece

#### Order Number 239 050

for: SV-... 510 - 515

Length 91 mm

Screw plug G 3/4 A

for ignition gas tap-off facility No.: 219 004

O-Ring No.: 215 947

#### Order Number 239 053

for: SV-... 520

Length: 107 mm

Screw plug G 1A

for ignition gas tap-off facility No.: 241 308

O-Ring No.: 215 986

### System accessory information

#### Compact pressure switch for multiple actuators GW...A5

Data Sheet 5.02

#### Pressure switch GW...A6

Data Sheet 5.01

#### Valve proving system VPS 504

Data Sheet 8.10

#### Closed position indicator K01/1 for checking closed position of valves

Data sheet 12.01



**Mounting a system accessory may exclude the fitting of another device.**

Equipment variants SV-... single-stage operating mode	SV...			SV-D...			SV-DLE...		
Flow restrictor	-	-	-	◆	◆	◆	◆	◆	◆
Opening delay	-	-	-	-	-	-	◆	◆	◆
Strainer	◆	◆	◆	◆	◆	◆	◆	◆	◆
<b>Gas pressure switch retrofittable:</b>									
GW...A6 valve inlet, central	◆	◆	◆	◆	◆	◆	◆	◆	◆
GW...A5 valve inlet, central	-	◆	◆	-	◆	◆	-	◆	◆
GW...A5 on outlet flange	-	◆	◆	-	◆	◆	-	◆	◆
GW...A5 on both sides before valve seat	◆	◆	◆	◆	◆	◆	◆	◆	◆
GW...A5 on both sides after valve seat	-	◆	◆	-	◆	◆	-	◆	◆
GW...A6 valve outlet central	◆	◆	◆	◆	◆	◆	◆	◆	◆
GW...A5 valve outlet central	-	◆	◆	-	◆	◆	-	◆	◆
<b>Flange</b>									
Rp 1/2	◆	◆	-	◆	◆	-	◆	◆	-
Rp 3/4	◆	◆	-	◆	◆	-	◆	◆	-
Rp 1	◆	◆	◆	◆	◆	◆	◆	◆	◆
Rp 1 1/4	-	◆	◆	-	◆	◆	-	◆	◆
Rp 1 1/2	-	◆	◆	-	◆	◆	-	◆	◆
Rp 2	-	-	◆	-	-	◆	-	-	◆
<b>Flange retrofittable at inlet</b>	◆	◆	◆	◆	◆	◆	◆	◆	◆
<b>Ignition gas flange G 1/2 retrofittable</b>	-	◆	◆	-	◆	◆	-	◆	◆
<b>Closed position signal contact retrofittable</b>	(◆)	◆	◆	(◆)	◆	◆	(◆)	◆	◆
<b>Valve proving system directly retrofittable</b>	-	◆	◆	-	◆	◆	-	◆	◆
<b>Rectifier in terminal box</b>	◆	◆	◆	◆	◆	◆	◆	◆	◆
<b>◆ = Standard                      (◆) = on request                      - = not available</b>									

Version	Order Number	p <sub>max.</sub> [bar]	Connection Rp	Dimensions in [mm]						Rating [VA]	Solenoid No.	Switch- ing ops/h <sup>*)</sup>	Weight [kg]
				a	b	c	d	e	g				
<b>SV 505</b>	231 488	<b>0.5</b>	Rp 1/2	156	96	62	200	75	23	20	020	1000	1.6
<b>SV 507</b>	240 315	<b>0.5</b>	Rp 3/4	156	96	62	200	75	23	20	020	1000	1.6
<b>SV 510</b>	231 489	<b>0.5</b>	Rp 1	219	119	87	277	95	40	25	030	1000	4.2
<b>SV 515</b>	243 818	<b>0.5</b>	Rp 1 1/2	219	119	87	277	95	40	25	030	1000	4.2
<b>SV 520</b>	240 318	<b>0.5</b>	Rp 2	238	165	114	370	126	47	50	040	1000	6.9
<b>SV-D 505</b>	240 321	<b>0.5</b>	Rp 1/2	156	96	62	200	75	23	20	020	1000	1.6
<b>SV-D 507</b>	240 324	<b>0.5</b>	Rp 3/4	156	96	62	200	75	23	20	020	1000	1.6
<b>SV-D 510</b>	240 326	<b>0.5</b>	Rp 1	219	119	87	277	95	40	25	030	1000	4.2
<b>SV-D 515</b>	243 820	<b>0.5</b>	Rp 1 1/2	219	119	87	277	95	40	25	030	1000	4.2
<b>SV-D 520</b>	240 332	<b>0.5</b>	Rp 2	238	165	114	370	126	47	50	040	1000	6.9
<b>SV-DLE 505</b>	240 334	<b>0.5</b>	Rp 1/2	205	96	62	215	75	23	20	020	100	1.7
<b>SV-DLE 507</b>	240 337	<b>0.5</b>	Rp 3/4	205	96	62	215	75	23	20	020	100	1.7
<b>SV-DLE 510</b>	240 339	<b>0.5</b>	Rp 1	266	119	87	277	95	40	25	030	100	4.3
<b>SV-DLE 515</b>	243 821	<b>0.5</b>	Rp 1 1/2	266	119	87	277	95	40	25	030	100	4.3
<b>SV-DLE 520</b>	240 345	<b>0.5</b>	Rp 2	284	165	114	370	126	47	50	040	100	7.0

<sup>\*)</sup> Switching frequency on SV-DLE... also dependent on opening time setting

**Supply schedule 1 valve**  
**1 threaded flange, included**  
**4 screws**  
**1 O-Ring**

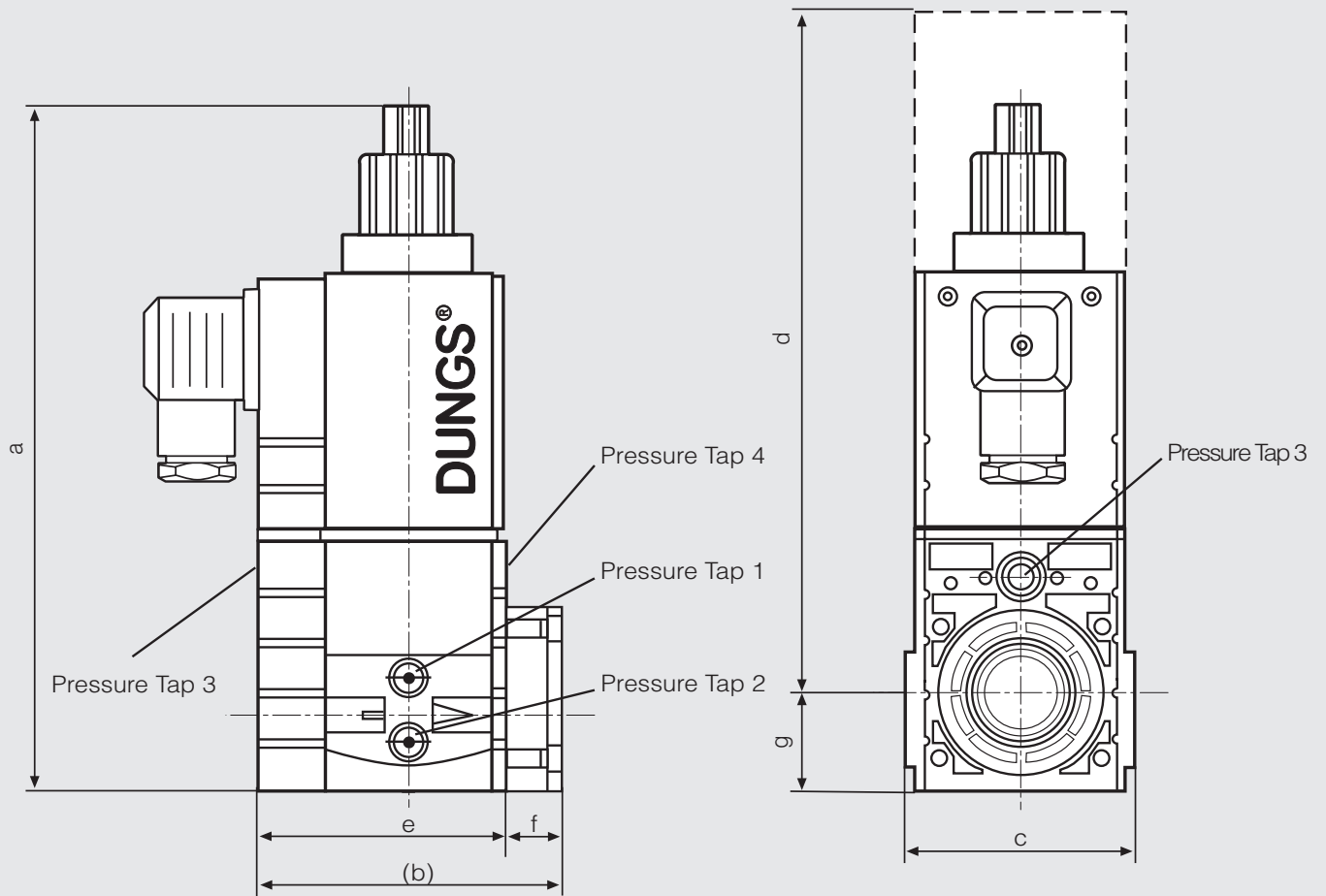
Flange for	Rp	Dimensions [mm] f	Order No.
<b>SV-... 505 / 507</b>	Rp 1/2	21	242 220
<b>SV-... 505 / 507</b>	Rp 3/4	21	242 221
<b>SV-... 505 / 507</b>	Rp 1	23	242 222
<b>SV-... 510 / 515</b>	Rp 1/2	24	242 223
<b>SV-... 510 / 515</b>	Rp 3/4	24	242 224
<b>SV-... 510 / 515</b>	Rp 1	24	242 225
<b>SV-... 510 / 515</b>	Rp 1 1/4	24	242 226
<b>SV-... 510 / 515</b>	Rp 1 1/2	24	243 817
<b>SV-... 520</b>	Rp 1	25	242 227
<b>SV-... 520</b>	Rp 1 1/4	25	242 228
<b>SV-... 520</b>	Rp 1 1/2	39	242 229
<b>SV-... 520</b>	Rp 2	39	242 230



**2nd Flange, plug-in connection and system accessories must be ordered separately.**

Electrical connection	Order No.
<b>Line socket, black 3-pole + PE</b>	210 319

**Mounting dimensions for SV ..., SV-D ... and SV-DLE ...**



	Pressure tap 1*	Pressure tap 2*	Pressure tap 3	Pressure tap 4*	VPS directly retrofittable
<b>SV- ... 505/507</b>	<b>p<sub>1</sub> (p<sub>1</sub>)</b>	<b>p<sub>2</sub> (p<sub>2</sub>)</b>	<b>p<sub>3</sub> (p<sub>3</sub>)</b>	<b>p<sub>4</sub> (p<sub>2</sub>)</b>	<b>no</b>
<b>SV- ... 510/515</b>	<b>p<sub>1</sub> (p<sub>2</sub>)</b>	<b>p<sub>1</sub> (p<sub>1</sub>)</b>	<b>p<sub>1</sub> (p<sub>1</sub>)</b>	<b>p<sub>1</sub> (p<sub>2</sub>)</b>	<b>yes*</b>
<b>SV- ... 520</b>	<b>p<sub>1</sub> (p<sub>2</sub>)</b>	<b>p<sub>1</sub> (p<sub>1</sub>)</b>	<b>p<sub>1</sub> (p<sub>1</sub>)</b>	<b>p<sub>1</sub> (p<sub>2</sub>)</b>	<b>yes*</b>

**\* depending on the equipment variant selected**

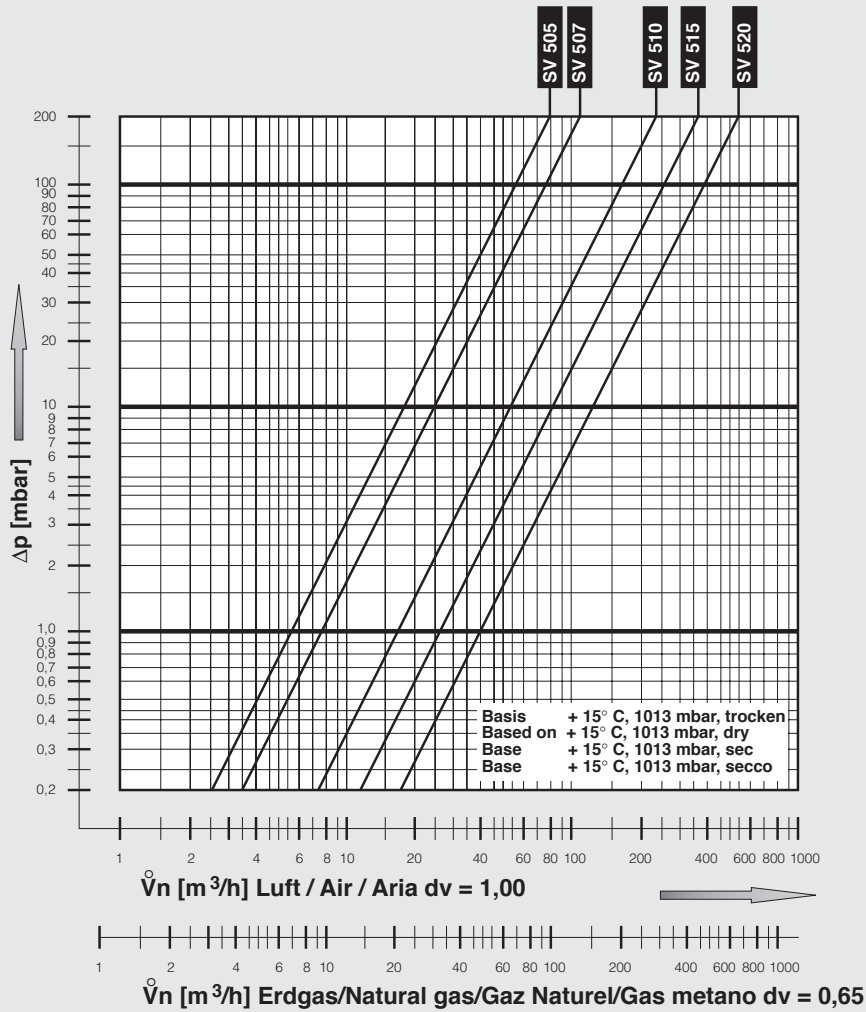
d = Space required for replacing solenoid

**Safety solenoid valve**  
**Flow diagram**  
**Nominal width Rp 1/2 - Rp 2**

**SV**  
**SV-D**  
**SV-DLE**

**DUNGS®**

**Flow diagram**



$$f = \sqrt{\frac{\text{Air density}}{\text{Density of gas used}}}$$

$$\dot{V}_{\text{gas used}} = \dot{V}_{\text{Air}} \times f$$

Gas type	Density [kg/m³]	dv	f
Natural gas	0.81	0.65	1.24
Town gas	0.58	0.47	1.46
Liquid gas	2.08	1.67	0.77
Air	1.24	1.00	1.00

We reserve the right to make any changes in the interests of technical progress.

**Head Offices and Factory**  
**Karl Dungs GmbH & Co. KG**  
**Siemensstraße 6-10**  
**D-73660 Urbach, Germany**  
**Phone +49 (0)7181-804-0**  
**Fax +49 (0)7181-804-166**

**Postal address**  
**Karl Dungs GmbH & Co. KG**  
**Postfach 12 29**  
**D-73602 Schorndorf**  
**e-mail info@dungs.com**  
**Internet www.dungs.com**