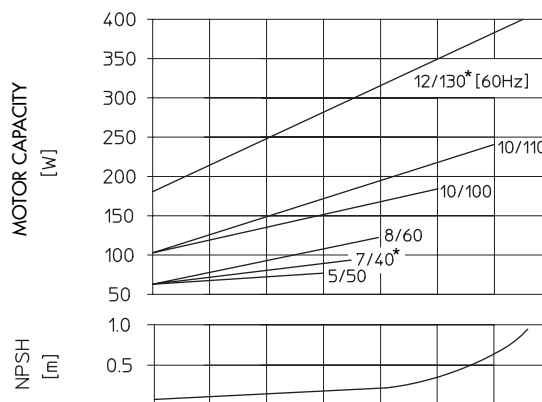
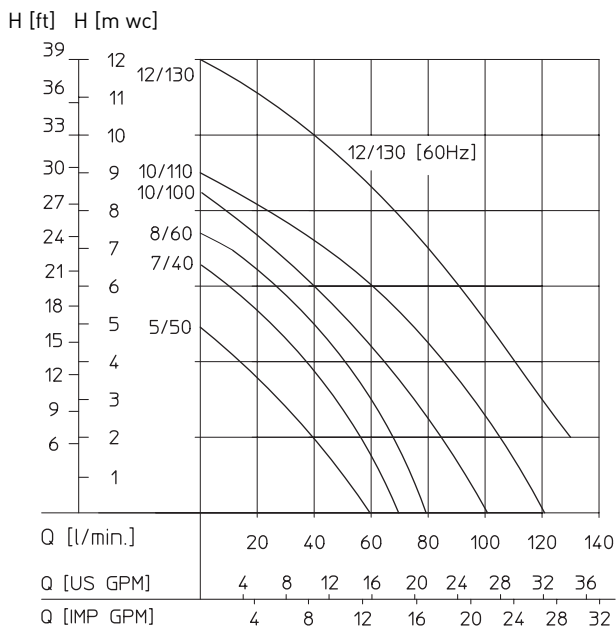




- Delivery rate up to 118 l/min
- Delivery head up to 9.5 m wc
- No shaft seal required
- For aggressive and neutral liquids
- Made of PP or PVDF
- Protection class IP 55

Magnetically coupled centrifugal pumps of type 2 are non-self-priming pumps that operate in horizontal position and are made in monobloc design. A magnetic coupling connects the pump to the motor and transmits the power of the motor to the impeller.

PERFORMANCE CHARTS:



* nur als 2U mit unbelüfteten Motor lieferbar

STANDARD DESIGN:

Housing, impeller and impeller magnet coating are made of glass-fibre reinforced PP plastic or PVDF. Sleeve bearings, starting rings and centering shaft are made of 99.7% pure oxide ceramic, and the O-ring sealing of the housing is made of either FKM or EPDM.
(See table on page 7 for other materials.)

Speed at 50 Hz = 2850 min⁻¹
Speed at 60 Hz = 3420 min⁻¹

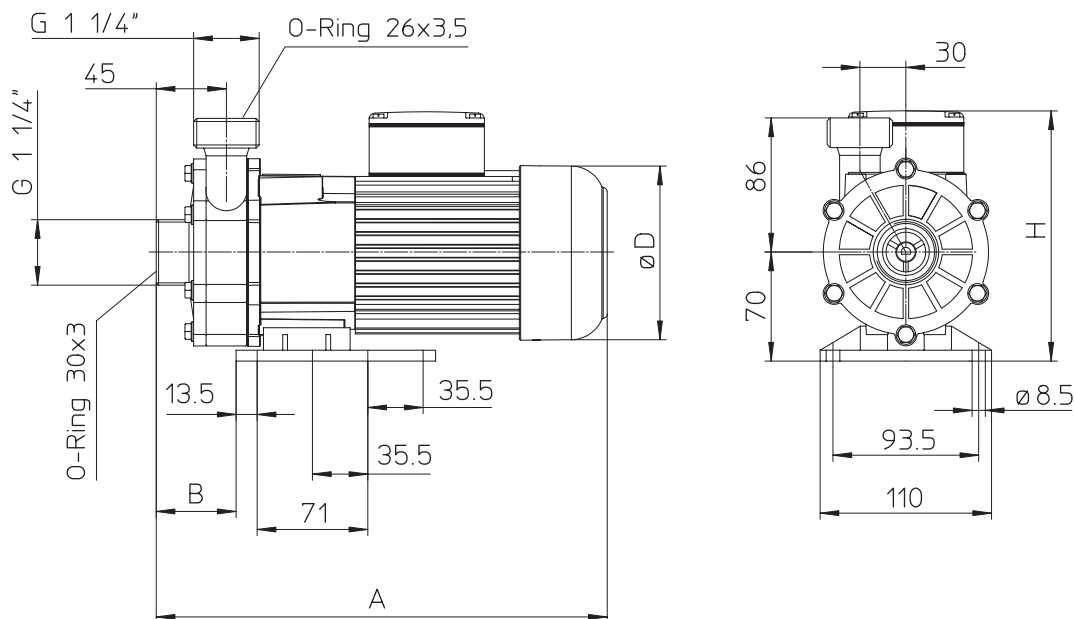
Please indicate the voltage and frequency desired when placing your order.



TECHNICAL DATA				
Size	5/50	8/60		10/110
Maximum delivery rate [l/min]	60	80		118
Maximum delivery head [m wc]	5.0	7.3		9.5
Maximum density [g/cm ³]*	1.5	1.5	2.0	2.0
Motor capacity P2 at 50 Hz [kW]	0.125	0.180	0.250	0.370
Motor capacity P2 at 60 Hz [kW]	0.150	0.216	0.300	0.444
Current rating (400 V) [A]	0.5	0.8	0.8	1.02
Rated speed at 50 Hz [min ⁻¹]	2.850	2.850		2.850
Rated speed at 60 Hz [min ⁻¹]	3.440	3.440		3.440
Weight (approx.) [kg]	5.0	6.0	6.5	7.5
Dimension A (approx.) [mm]	289	289	304	322
Dimension D (approx.) [mm]	112	112	123	123
Dimension H (approx.) [mm]	160.5	160.5	168	168
Dimension B (approx.) [mm]	continuously adjustable from 20 to 45 mm			
Voltage**	230 V ac or 230/400 V three-phase current			
Protection class	hose-proof according to IP 55			
Ports	suction side G 1 1/4"		discharge side G 1 1/4"	
Recommended maximum flow rate	suction side 1 m/s		discharge side 3 m/s	
Material	PP		PVDF	
Maximum temperature	80 °C		95 °C	
Maximum system pressure at 20 °C	1.0 bar		2.0 bar	

* To deliver liquids with a higher relative density, we also offer all our pumps with smaller impeller diameters which, however, reduce delivery rates and heads of the pumps. If in doubt, please consult us.

**Other voltages available upon request.



Position of the terminal box: standard position is on top (if you need it mounted on the right or the left, please indicate when placing your order).

Position of the discharge port: vertical position is standard (differing positions at 12 x 30° are possible, please indicate when placing your order).



Delivery rate up to 130 l/min

Delivery head up to 16 m wc
(type 2D as twin pump)

No shaft seal required

For aggressive and neutral liquids

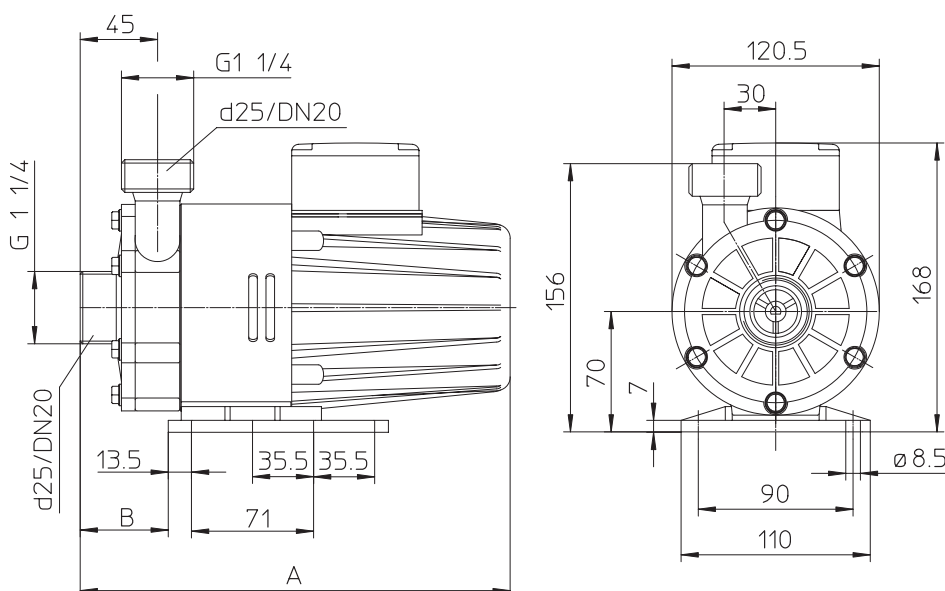
With non-ventilated motor so that it is insensitive to vapour.

Made of PP or PVDF

Protection class IP 55

Size	5/50			7/40		8/60			10/100		10/110		12/130
Maximum delivery rate [l/min]	60			70		80			100		118		130
Maximum delivery head [m wc]	5.0			6.5		7.3			8.4		9.5		12.0
* Maximum density [g/cm ³]	1.3	1.7	2.5	1.4	2.2	1.35	1.5	2.0	1.5	1.9	1.5	1.85	1.0
Motor capacity P2 at 50 Hz [kW]	0.09	0.18	0.25	0.12	0.25	0.12	0.18	0.25	0.18	0.25	0.18	0.25	–
Motor capacity P2 at 60 Hz [kW]	0.108	0.216	0.30	0.14	0.30	0.14	0.216	0.24	0.216	0.30	0.216	0.30	0.37
Current rating (400 V) [A]	0.35	0.65	0.65	0.45	0.65	0.45	0.65	0.65	0.65	0.65	0.65	0.65	1.02
Rated speed at 50 Hz [min ⁻¹]	2850			2.850		2.850			2.850		2.850		–
Rated speed at 60 Hz [min ⁻¹]	3440			3.440		3.440			3.440		3.440		3.440
Weight (approx.) [kg]	4.0	5.5	6.5	5.0	6.5	5.0	6.0	6.5	6.5	7.0	6.5	7.0	7.5
Dimension A [mm]	235	250	265	250	265	250	265	265	265	265	265	265	310
Dimension B [mm]	continuously adjustable from 20 to 45 mm												

* To deliver liquids with a higher relative density, we also offer all our pumps with smaller impeller diameters which, however, reduce delivery rates and heads of the pumps. If in doubt, please consult us.



Position of the terminal box:
standard position is on top
(if you need it mounted on the
right or the left, please indicate
when placing your order).
Position of the discharge port:
vertical position is standard
(differing positions at 12 x 30°
are possible, please indicate
when placing your order).



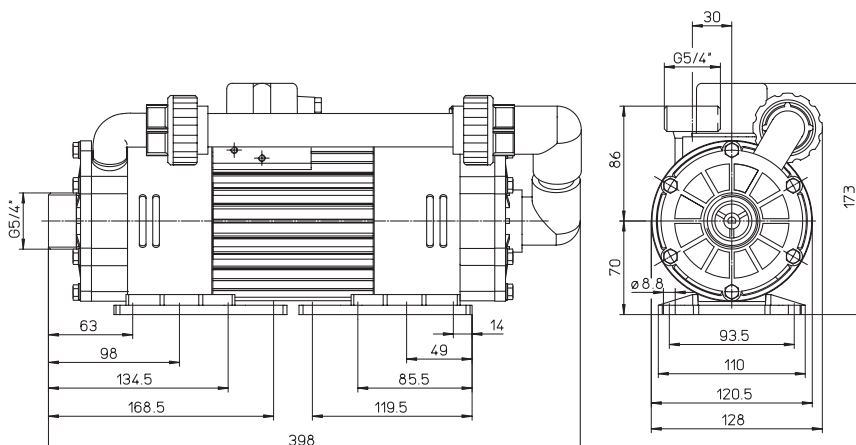
This pump is equipped with a non-ventilated (0.25 kW) motor with two shaft ends. A pump head of size 8/60 is mounted to each side of the motor.

You may use this pump as a twin pump with one driving motor to double its delivery rate to 2 x 80 l/min or as a twin pump in series connection (two-stage) to increase discharge pressure. Maximum delivery head then is 16 m wc.

Size	8/60	8/60 series connection
Maximum delivery rate [l/min]	2 x 80	60
Maximum delivery head [m wc]	7.3	16
Maximum density [g/cm ³]*	1.0	1.3
Motor capacity P2 at 50 Hz [kW]	250	250
Motor capacity P2 at 60 Hz [kW]	300	300
Current rating (400 V) [A]	0.65	0.65
Rated speed at 50 Hz [min ⁻¹]	2850	2850
Rated speed at 60 Hz [min ⁻¹]	3440	3440
Weight (approx.) [kg]	8.5	9.0
Voltage** 230 V ac or 230/400 V three-phase current		
Protection class hose-proof according to IP 55		
Ports	suction side G 1 ¹ / ₄	discharge side G 1 ¹ / ₄
Recommended maximum flow rate	suction side 1 m/s	discharge side 3 m/s
Material	PP	PVDF
Maximum temperature	80 °C	95 °C
Maximum system pressure at 20 °C	2.5 bar	3.5 bar

* To deliver liquids with a higher relative density, we also offer all our pumps with smaller impeller diameters which, however, reduce delivery rates and heads of the pumps.

**Other voltages available upon request.



STANDARD DESIGN:

Housing, impeller and impeller magnet coating are made of glass-fibre reinforced PP plastic or PVDF. Sleeve bearings, starting rings and centering shaft are made of 99.7% pure oxide ceramic, and the O-ring sealing of the housing is made of either FKM or EPDM. (See table on page 7 for other materials.)