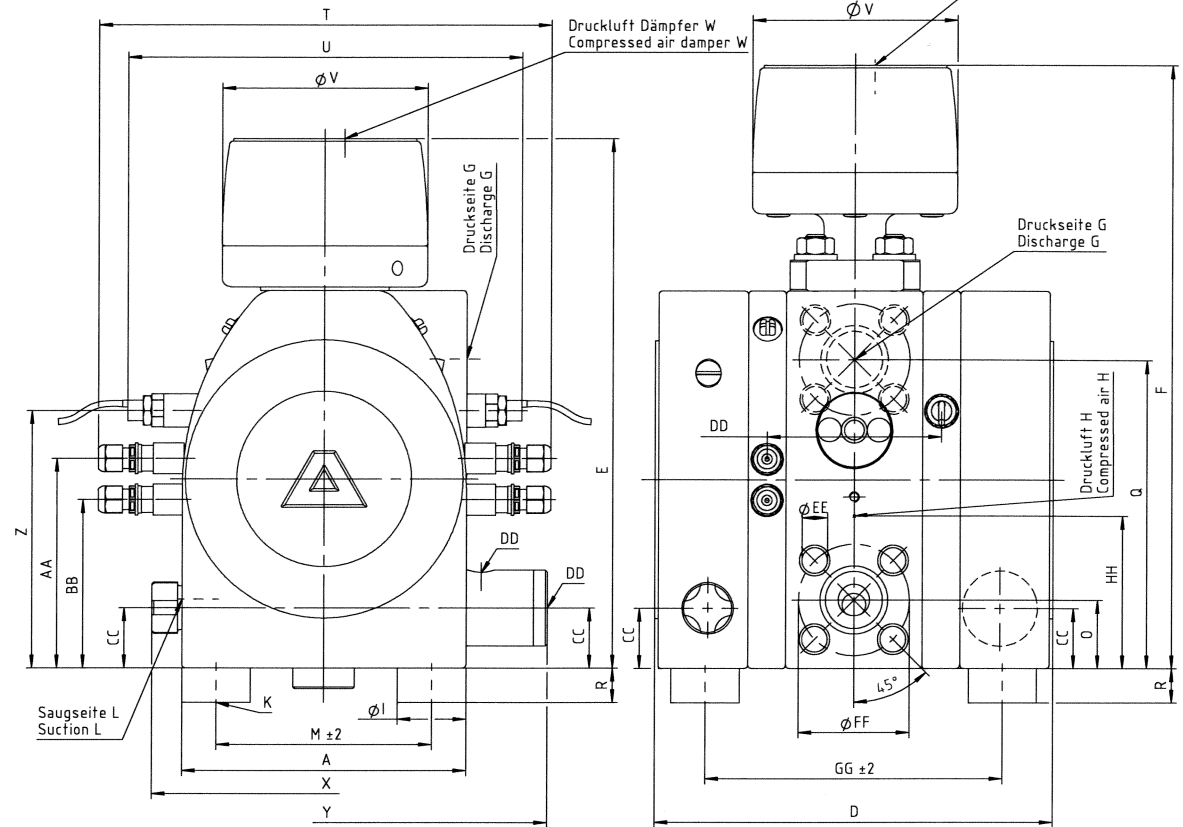
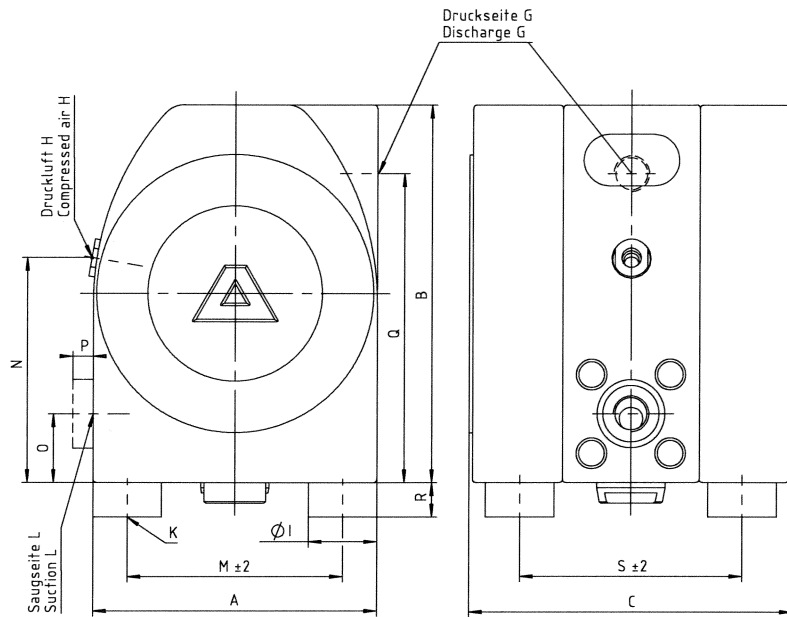


Maßblatt E-Serie: E08-50 (Sonderausstattungen)

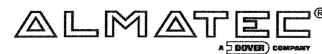
Dimensions E-Series: E08-50 (Options)

Maßblatt E-Serie: E08-50 (Standard)

Dimensions E-Series: E08-50 (Standard)



	A	B	C	D	E	F	G	H	I	K	L	M	N	O	P	Q	R	S	T	U	V	W	X	Y	Z	AA	BB	CC	DD	EE	FF	GG	HH	
<b>E 08</b>	90	116	128	-	195	-	NPT 1/4"	R 1/8"	25	M 6	NPT 1/4"	50	58	15	10	101	13	84	-	-	85	R 1/8"	-	-	-	-	-	-	-	-	-	-	-	58
<b>E 10</b>	110	156	147	189	235	-	NPT 3/8"	R 1/8"	25	M 6	NPT 3/8"	85	78	17	11	139	13	97	208	202	85	R 1/8"	-	-	96	90	66	-	75	-	-	139	78	
<b>E 15</b>	166	220	189	233	309	352	NPT 1/2"	R 1/4"	40	M 8	NPT 1/2"	126	131	40	12	180	20	130	264	230	120	R 1/8"	201	262	150	122	98	35	102	M12	65	174	89	
<b>E 25</b>	220	300	255	301	433	476	NPT 1"	R 1/4"	40	M 8	NPT 1"	180	178	48	18	252	20	185	318	272	170	R 1/8"	252	316	205	163	137	49	118	M12	85	231	122	
<b>E 40</b>	280	412	353	401	574	627	NPT 1 1/2"	R 1/2"	50	M 10	NPT 1 1/2"	230	206	65	18	347	20	270	378	310	220	R 1/4"	316	374	296	219	193	72	154	M16	110	318	206	
<b>E 50</b>	360	532	430	482	754	812	NPT 2"	R 1/2"	50	M 10	NPT 2"	310	266	80	18	452	20	340	458	374	285	R 1/4"	392	454	391	279	253	82	186	M16	125	392	266	



ALMATEC Maschinenbau GmbH  
 Carl-Friedrich-Gauß-Str. 5  
 D-47475 Kamp-Lintfort

Telefon (0 28 42) 9 61 - 0  
 Telefax (0 28 42) 9 61 - 40  
 http://www.almatec.de  
 e-mail: info@almatec.de

Maße in mm, Änderungen vorbehalten

Dimensions in millimeters, subject to change

07.09